

Swivel Joint, Upper Wishbone, Replace



Remove

Upper wishbone from front suspension – see operation "Upper Wishbone, Remove and Install".



Disassemble

Swivel joint from upper wishbone – press out.



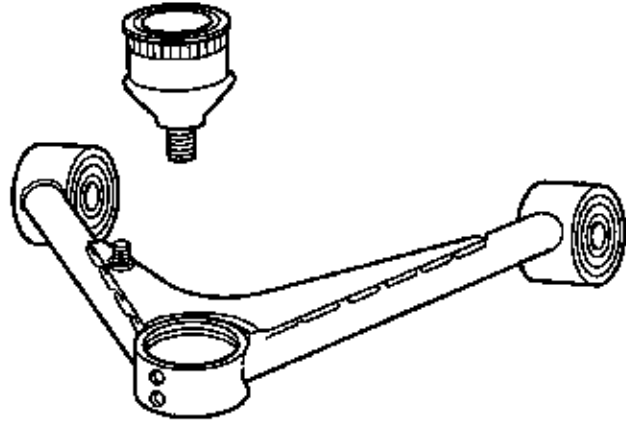
Assemble

Swivel joint to upper wishbone – press in.



Install

Upper wishbone to front suspension.



T 9352